

# MK24.4

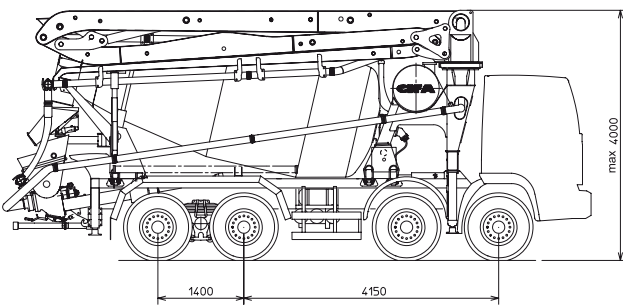
## TRUCK-MIXER PUMP "MAGNUM" MK24.4Z-80/115 RH

Placing Boom  
Pumping Unit  
Concrete Mixer  
Driven by  
Châssis

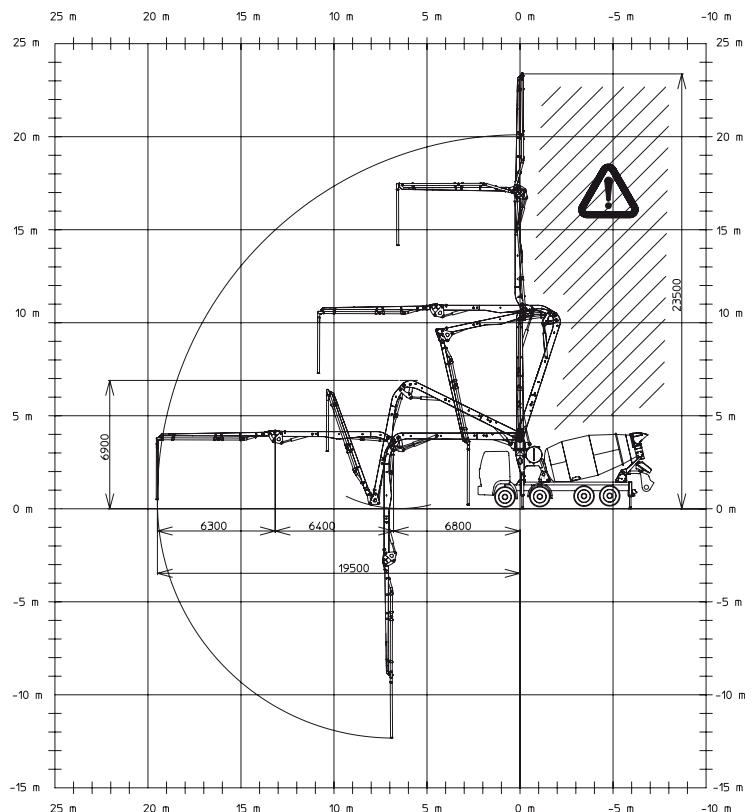
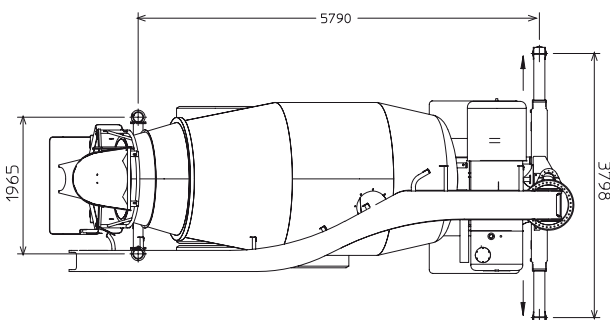
MK24.4Z  
PB 607 S7  
RH 80/115  
PTO/Gear box by CIFA  
3/4 axles RH 80 or  
4 axles RH 115



### Dimensions



Dimensions varying according to truck assembly



# MK24.4

## TRUCK-MIXER PUMP "MAGNUM" MK24.4Z-80/115 RH

<b>Placing Boom</b>	MK24.4Z
<b>Pumping Unit</b>	PB 607 S7
<b>Concrete Mixer</b>	RH 80/115
<b>Driven by</b>	PTO/Gear box by CIFA
<b>Châssis</b>	3/4 axles RH 80 or 4 axles RH 115

### Main features

- Compact and harmonic line, studied for advantageous assembling on 3/4 axles (RH 80) or 4 axles (RH 115) chassis
- Ideal loads distribution on the axles to obtain better driving stability
- Self-supporting frame - torsion free FEM designed
- Outriggers fully hydraulic controlled on both machine sides
- High loading and mixing capacity drum and elliptic bottom
- Placing boom MK 24.4 Z, 3 sections, pipeline diameter 100 mm, "Z" folding system
- Proportional boom control allowing the operator to control more placing boom sections simultaneously
- The "BFC" Best-Flex Cifa supporting system allowing just one man to change delivery pipeline easily, quick and safety
- Concrete flow rate regulator
- Quiet pumping with high performances: smooth, continuous and easy movements
- Safety device on opening inspection hatch

### Standard equipment

- 2 Proportional radio control with two boom movement speed, synthesiser for automatic frequency search, 8 position joy stick and concrete flow rate regulator. 20 mt cable
- Remote controlled vibrator on the concrete hopper grid
- Centralized lubrication system for pumping unit
- Automatic lubrication system for pumping pistons by hydraulic oil
- Additional manual lubrication system for pumping unit
- Hard plastic outrigger support plates with relevant housing
- Rear light on hopper
- Polymer rear mono-axle mudguards with rubber mudflaps
- Accessories for cleaning and pipes washing
- Automatic adjustment feeler of truck-mixer discharge into hopper
- Pumping unit with 7 inches "S" shaped valve
- Concrete pipes, double thickness, in high resistant steel - CIFA Long Life Pipes
- Long life wear plate and cutting ring with hard carbide inserts

### Main Options

- Continuous rotation of boom
- Cone-shaped discharging chute with end-cone diam. 200 mm
- Further 2 additional section chutes (supplied loose)
- Manual greasing system for reducer, rollers and rolling ring
- Automatic centralized greasing system for boom
- Hydraulic pipeline emergency kit
- High Pressure water pump
- "Ekos" dust exhausting device for drum closing

### Concrete Mixer Technical data

Model		80	115
Nominal capacity	$m^3$	7	9
Drum geometric volume	$m^3$	12,8	14,6
Filling ratio	%	55	69
Max. drum speed	$1/min$	14	14
Water tank capacity	$l$	910	910
Water tank capacity/pressure	$l/min - bar$	230/15	230/15
Liter-counter scale	$l$	0-500	0-500

### Pumping unit technical data

Model		PB 607 S7
Max. theoretical output	$m^3/h$	61
Max. pressure on concrete	$bar$	71
Max. number of cycles per minute	$n^\circ$	32
Concrete cylinders (diam. x stroke)	$mm$	200x1000
Concrete hopper capacity	$l$	400
"S" valve diameter	"	7

### Placing boom technical data

Model		MK 24.4Z
Pipeline diameter	$mm$	100
Max. vertical reach	$m$	23,5
Max. horizontal distance	$m$	19,5
Section numbers		3
1st section opening angle		108°
2nd section opening angle		184°
3rd section opening angle		271°
Rotating angle		370°
End hose length	$m$	4

Technical data and characteristics subject to modifications without notice